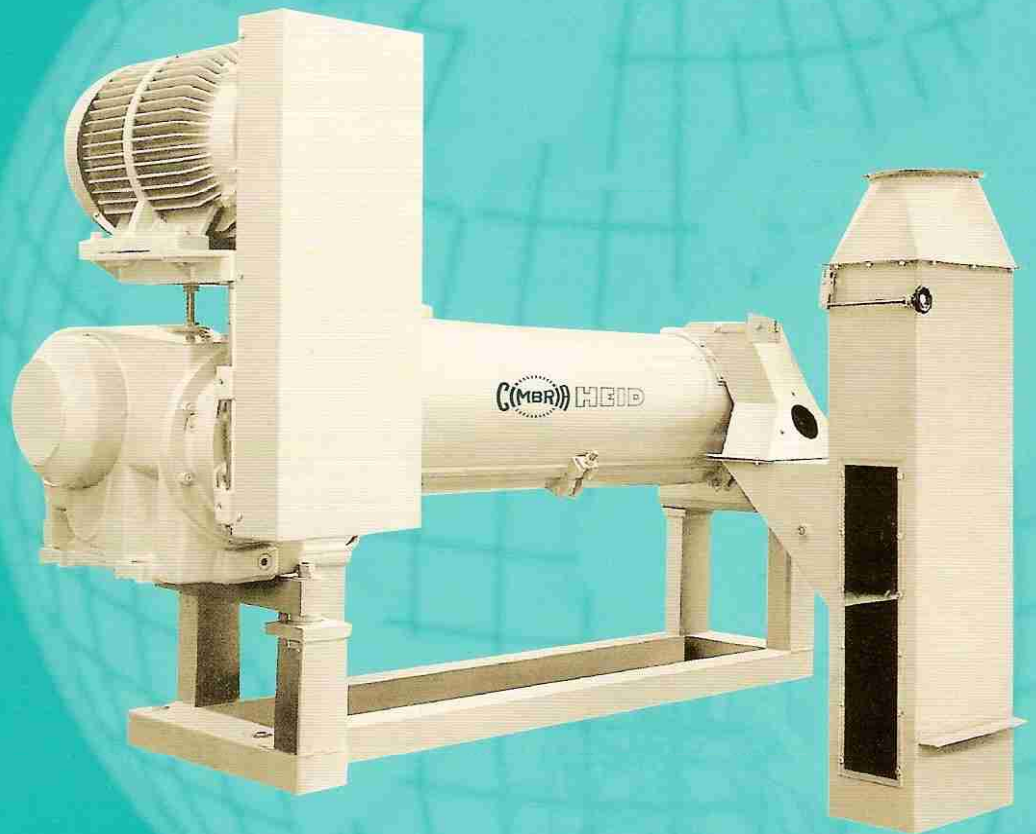




# *M* Husker / Polisher for Parchment Coffee

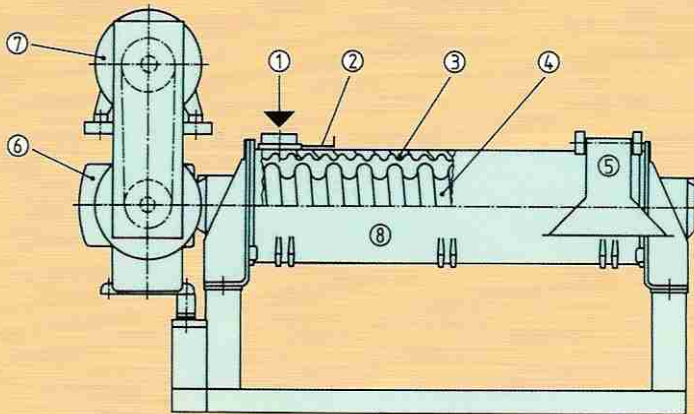
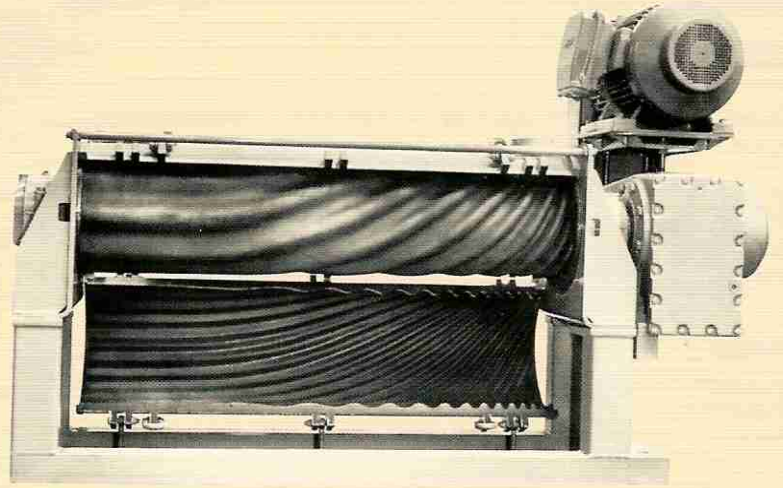


## Application

This parchment husker is designed for husking and polishing parchment coffee.

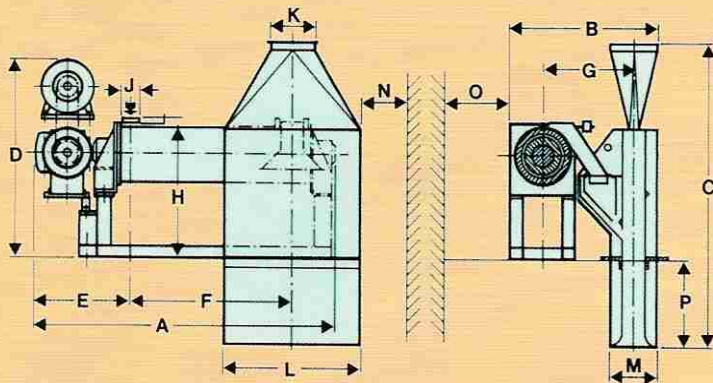
## Working principle

The throughput rate is set at the machine inlet by means of a slide gate. The coffee beans are caught by the spiral windings of the rotor and conveyed towards the outlet. During conveying, intensive husking and polishing takes place. The polishing degree is controlled at the weight-loaded retarding gate. The husks are separated from the polished coffee beans in the directly attached aspiration channel.



- ① Material inlet
- ② Slide gate for throughput control
- ③ Housing
- ④ Rotor
- ⑤ Outlet with retarding gate
- ⑥ Direct-coupled gearing
- ⑦ Drive motor with V-belt transmission
- ⑧ Lower housing half, hinged for maintenance and cleaning

## Technical data



## Advantages

- Application as husker and polisher
- Gentle husking
- Low rate of breakage
- Low heating of coffee
- Cimbria Heid special cast roll and jacket
- Adjustable polishing degree
- Rugged cast support frame
- Efficient husk separation in high-capacity air classifier

Model	Dimensions in mm															Drive power kW	Capacity t/h	Weight in kg			Volume of sea-worthy packing in m <sup>3</sup>
	A	B	C	D	E	F	G	H	∅J	∅K	L	M	N	O	P			net	gross	by sea	
SKP-2	2155	1343	1820	1500	742	1075	870	1002	120	200	250	300	600	1000	255	-	-	-	-	-	
SKP-4	2650	1280	2600	1735	848	1425	800	1772	150	400	1200	400	600	1000	745	55	4-5	2700	3000	3250	7

**CIMBRIA HEID GmbH**  
 Heid-Werkstraße 4  
 A-2000 Stockerau, Austria  
 Phone (+43) 2266 699  
 Fax (+43) 2266 65590  
 E-mail: [heid@cimbria.at](mailto:heid@cimbria.at)  
 Internet: <http://www.heid.cimbria.com>

*Holding company:*  
 A/S CIMBRIA  
 Cimbria House - P.O. Box 40  
 7700 Thisted, Denmark  
 Phone (+45) 96 17 90 00  
 Fax (+45) 96 17 90 19  
 E-mail: [cimbria@cimbria.com](mailto:cimbria@cimbria.com)  
 Homepage: [www.cimbria.com](http://www.cimbria.com)

